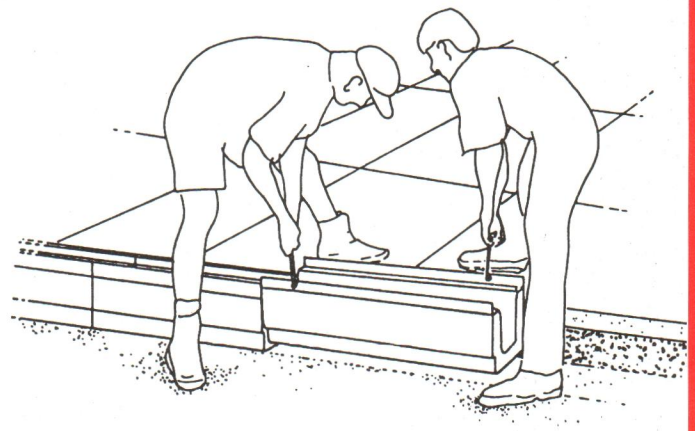
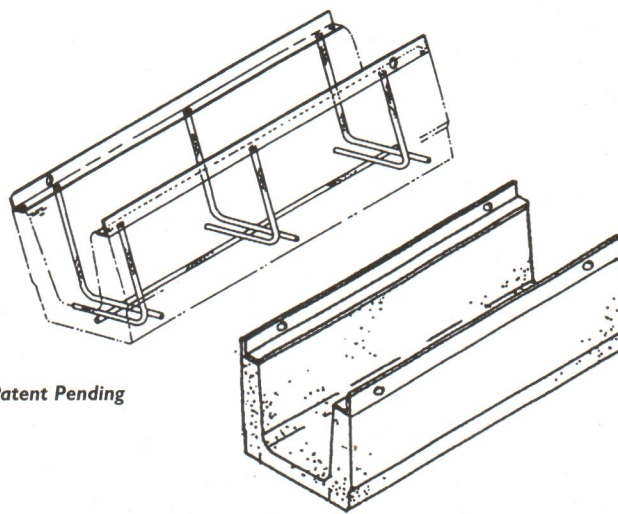


PATENT PRODUCTS

LEADERS IN DESIGN TECHNOLOGY

EXTRA HEAVY INDUSTRIAL CHANNEL WITH INTEGRAL ANGLE FRAMING

• Quick Installation • Excellent Result • Cost Saving



- **Extra Heavy Duty Steel Fibre reinforced Industrial Concrete Channels**
- **Cast with reinforced angle framing as part of the unit**
- **Framing has allowance for grate to be bolted in position for security.**
- **One metre long, internal measurements: 200 x 200mm or 300 x 300mm**

PRODUCT CODE No	GRATE SIZE	CLEAR OPENING UNDER THE GRATE	EXTERNAL HEIGHT	EXTERNAL WIDTH
PP ICC 200	300mm	200 x 200	285mm	315mm
PP ICC 300	375mm	300 x 300	395mm	395mm

PATENT PRODUCTS AUSTRALIA PTY. LTD.

ACN 077 955 956 • 14 077 955 956

www.patentproducts.com.au

6 Frederick Street, Northgate, Qld 4013 • PO Box 29 Virginia, Qld. 4014