

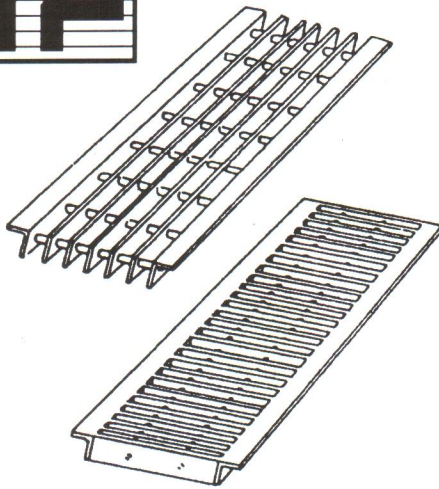
• Easy to replace, clean & virtually maintenance free

• Superior quality for the ultimate drainage system

• Designed for maximum strength & optimum drainage



## ANGLE SIDED GRATES

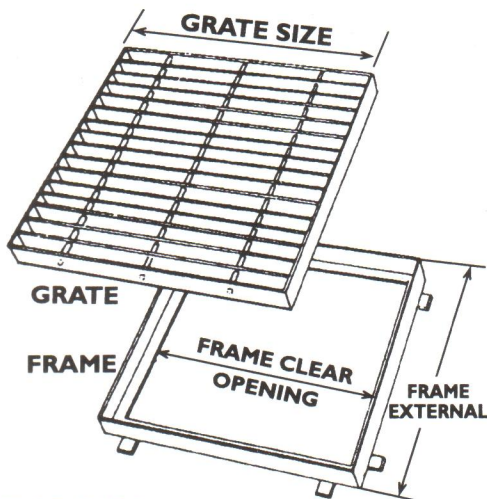


\* Grates with longitudinal bars  
All Grates are one metre long

Product Code No	Grate Width	Grate Material	Angle Material	Bar Spacing
PP TG 102 075	75	25 x 3	25 x 25 x 3	20*
PP TG 102 100	100	25 x 3	25 x 25 x 3	20*
PP TG 102 150	150	25 x 3	25 x 25 x 3	20*
PP TG 106 150	150	25 x 5	30 x 30 x 5	25
PP TG 102 200	200	25 x 3	25 x 25 x 3	20*
PP TG 106 200	200	25 x 5	30 x 30 x 5	25
PP TG 102 250	250	25 x 3	25 x 25 x 5	25
PP TG 106 250	250	40 x 5	40 x 40 x 6	25
PP TG 102 300	300	25 x 3	25 x 25 x 5	25
PP TG 106 300	300	40 x 5	40 x 40 x 6	25
PP TG 106 400	400	40 x 5	40 x 40 x 6	25



## SUMP GRATES AND FRAMES

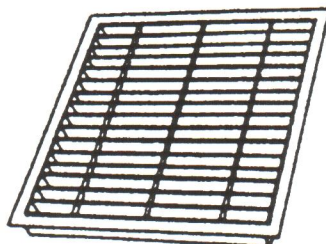


PP SG 365 H

Product Code No	Clear Opening	Grate Size	Grate Depth	Frame Angle
PP SG 300M	250 x 250	300 x 300	25	30 x 30 x 3
PP SG 350 M	300 x 300	350 x 350	25	30 x 30 x 5
PP SG 365 H	300 x 300	365 x 365	32	40 x 40 x 5
PP SG 500L	450 x 450	500 x 445	25	30 x 30 x 5
PP SG 525H	450 x 450	525 x 445	40	45 x 45 x 5
PP SH 650 L	600 x 600	650 x 595	25	30 x 30 x 5
PP SG 695 H	600 x 600	695 x 595	50	55 x 55 x 5
PP SG 850 M	750 x 750	845 x 745	50	55 x 55 x 5
PP SG 96 L	900 x 600	895 x 650	25	30 x 30 x 5
PP SG 96 H	900 x 600	895 x 695	50	55 x 55 x 5
PP SG 99 L	900 x 900	895 x 995	50	55 x 55 x 5
PP SG 99 H	900 x 900	895 x 980	75	85 x 75 x 6



## BOX GRATES



Product Code No.	Grate Size	Angle Material	Grate Depth
PP AG 300	300 x 300	25 x 25 x 3	25
PP AG 445 L	445 x 445	45 x 45 x 5	45
PP AG 445 H	445 x 445	45 x 45 x 5	45
PP AG 595 L	595 x 595	45 x 45 x 5	45
PP AG 595 H	595 x 595	45 x 45 x 5	45
PP AG 96 M	900 x 600	45 x 45 x 5	45

**MATERIALS : Steel Manufactured in accordance with AS 3679-250**

**GALVANISING : HOT DIP Galvanising in accordance with AS/NZS 4680 : 1999**

Drawings shown on this brochure are for illustrative purposes only. In the interests of product improvement PATENT PRODUCTS reserve the